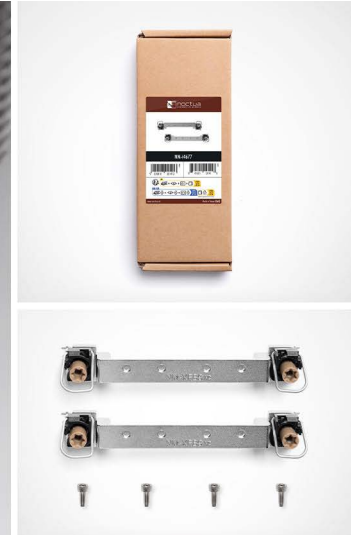


Noctua NM-i4677 Mounting Kit

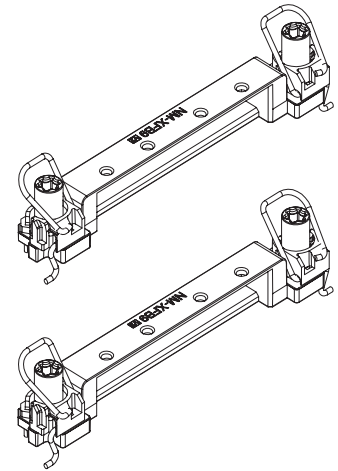
NM-i4677



The NM-i4677 mounting-kit enables the installation of Noctua's DX-4189, DX-3647 and TR4-SP3 series coolers to Intel's LGA4677 platform, for 4th generation Xeon Scalable (Platinum, Gold, Silver or Bronze) processors and w9, w7, w5 or w3 series workstation CPUs. Integrating standard Intel parts such as the anti-tilt mechanism, Torx® T30 PEEK nuts the CPU-specific carrier frames (included with boxed retail CPUs and available separately for tray CPUs), the NM-i4677 is fully compliant with Intel's installation guidelines and provides a familiar mounting procedure for experienced LGA4677 users. A Torx® T30 mounting tool is included.

SOCKET & COOLER COMPATIBILITY

Socket compatibility	LGA4677
Cooler compatibility	NH-U14S DX-4189, NH-U12S DX-4189, NH-D9 DX-4189 4U, NH-U9 DX-4189, NH-U14S DX-3647, NH-U12S DX-3647, NH-D9 DX-3647 4U, NH-U14S TR4-SP3, NH-U12S TR4-SP3, NH-U9 TR4-SP3



Caution: The NM-i4677 is only compatible with DX-4189, DX-3647 and TR4-SP3 series heatsinks and cannot be used with any other Noctua cooler.

LOGISTIC DATA

Product name

Noctua NM-i4677

EAN

9010018201413

UPC

841501121418

Packaging dimensions (HxWxD)

196x76x24 mm

Weight incl. packaging

204 g

Warranty

6 years

Packaging unit

60 pcs

Packaging dimensions / unit (HxWxD)

410x282x250 mm

Weight incl. packaging / unit

11.50 kg

SCOPE OF DELIVERY

SecuFirm2™ mounting kit for LGA4677

NM-SMT4 mounting tool for mounting bracket installation

NM-SMT5 Torx® T30 mounting tool

4x NM-SSC2 small screws